

Technical data sheet

Product features



Fry-top griddle plate smooth chrom

Model	SAP Code	00013577
--------------	-----------------	----------



- Top type: Smooth
- Griddle dimensions [mm x mm]: 800 x 800
- Griddle thickness [mm]: 14.00
- Worktop material: Super chrom
- Grid size [mm x mm]: 680 x 760
- Container for liquid fat: Yes
- Independent heating zones: Separate control for each heating zone
- Maximum device temperature [°C]: 300
- Removable rim: Yes

SAP Code	00013577	Loading	400 V / 3N - 50 Hz
Net Width [mm]	800	Griddle dimensions [mm x mm]	800 x 800
Net Depth [mm]	800	Grid size [mm x mm]	680 x 760
Net Height [mm]	220	Top type	Smooth
Net Weight [kg]	80.00	Worktop type	Molded - comfortable cleaning maintenance
Power electric [kW]	15.000		

Technical data sheet

Technical drawing

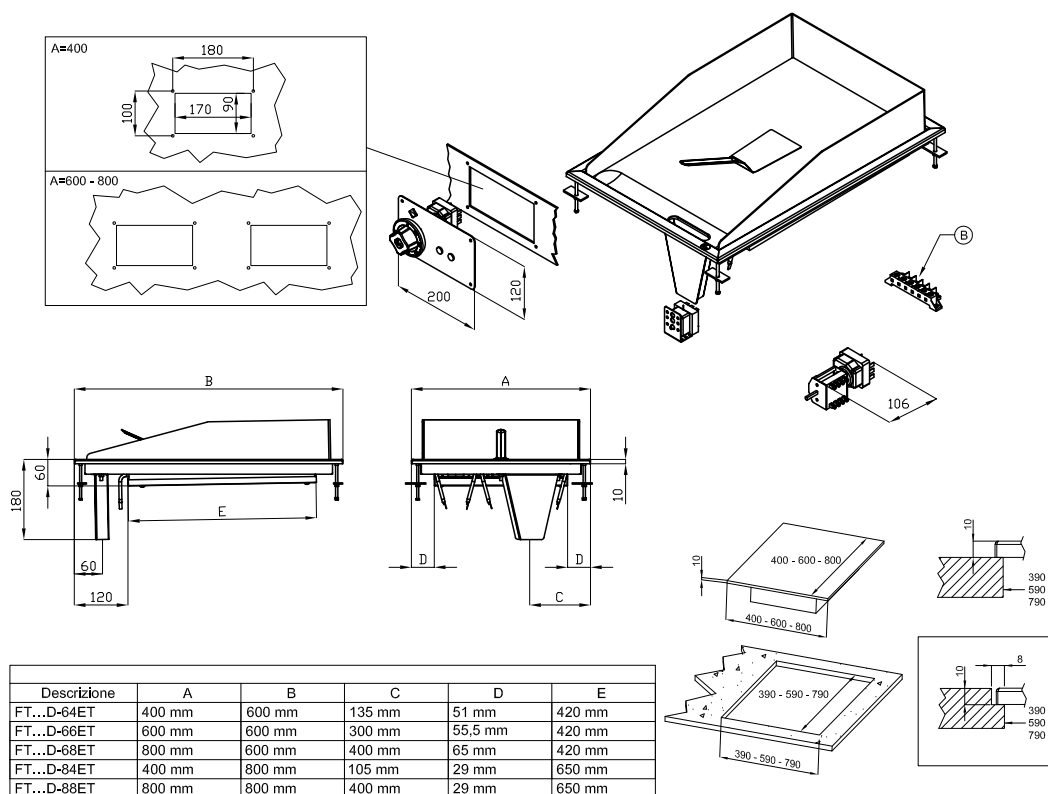


Fry-top griddle plate smooth chrom

Model

SAP Code

00013577



A	Data plate		B	Electrical connection	
---	------------	--	---	-----------------------	--

Technical data sheet

Technical parameters



Fry-top griddle plate smooth chrom

Model

SAP Code

00013577

1. SAP Code:

00013577

2. Net Width [mm]:

800

3. Net Depth [mm]:

800

4. Net Height [mm]:

220

5. Net Weight [kg]:

80.00

6. Gross Width [mm]:

830

7. Gross depth [mm]:

970

8. Gross Height [mm]:

540

9. Gross Weight [kg]:

90.00

10. Device type:

Electric unit

11. Construction type of device:

Drop-in

12. Power electric [kW]:

15.000

13. Loading:

400 V / 3N - 50 Hz

14. Protection of controls:

IPX5

15. Exterior color of the device:

Stainless steel

16. Material:

Stainless steel

17. Indicators:

operation and warm-up

18. Worktop type:

Molded - comfortable cleaning maintenance

19. Worktop material:

Super chrom

20. Worktop Thickness [mm]:

14.00

21. Maximum device temperature [°C]:

300

22. Minimum device temperature [°C]:

50

23. Service accessibility:

Trough the frontal panel

24. Safety thermostat:

Yes

25. Griddle dimensions [mm x mm]:

800 x 800

26. Griddle thickness [mm]:

14.00

27. Container for liquid fat:

Yes

28. Independent heating zones:

Separate control for each heating zone

Technical data sheet

Technical parameters



Fry-top griddle plate smooth chrom

Model	SAP Code	00013577

29. Removable rim:

Yes

31. Top type:

Smooth

30. Grid size [mm x mm]:

680 x 760

32. Cross-section of conductors CU [mm²]:

4

– Výkon (kW): 30-37 (230 V); 53-64 (400 V)